



AMERICA'S CUP CLASS

CONFIDENTIAL INTERPRETATION No 2

June 07, 2005

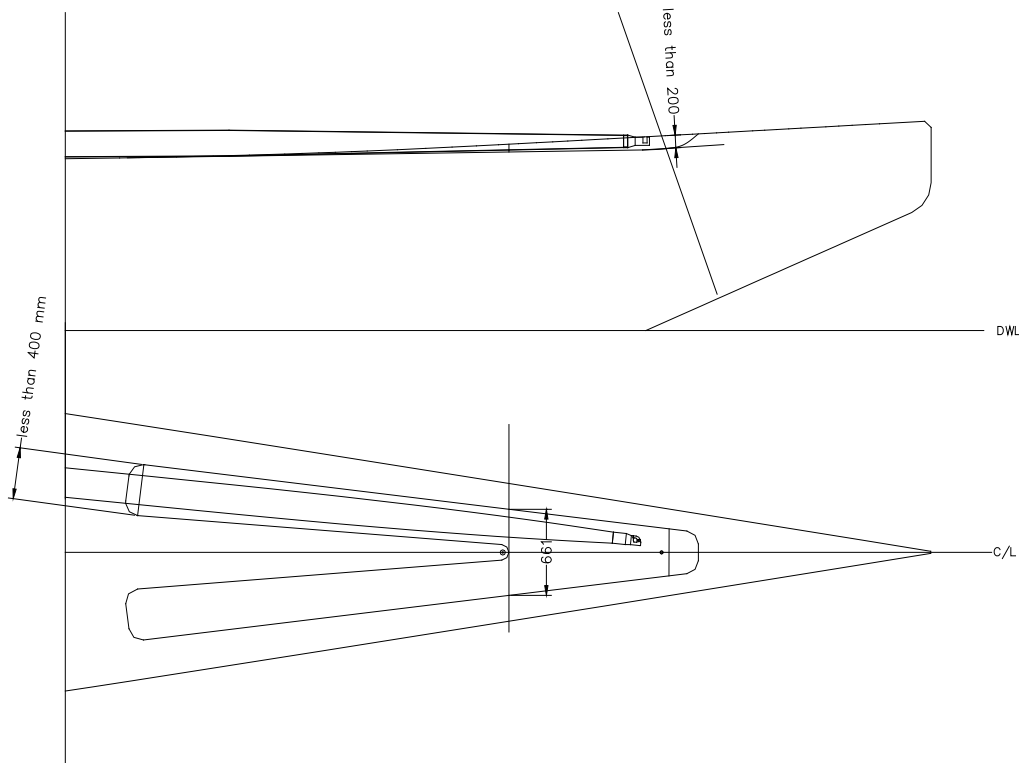
Page 1 of 2

In response to the following:

Please confirm if the spinnaker pole trough in the diagram below conforms to ACC Rule 18.3(a), having regard to ACC Public Interpretation No 2

The trough is shallower than 200mm, it is less than 800 mm wide from the edge of the adjacent edge. It is wider than 800 mm from the outside edge to the opposite edge (non adjacent).

INTERPRETATION



INTERPRETATION

ACC Rule 18.3(a) states;

“there shall be no more than one trough to accommodate the spinnaker pole and it shall not be wider than 800 mm nor deeper than 200 mm measured from the immediately adjacent **deck**,”

The arrangement shown in the provided sketch shows two troughs connected by a common forward section. Rule 18.3 permits one trough to accommodate the spinnaker pole. Accordingly the arrangement shown is not permitted. END

This interpretation is made by the Measurement Committee in accordance with Rule 3.2 of Version 5.0 of the America's Cup Class Rule.

*Ken McAlpine
ACC Technical Director
117 Marine Terrace, Fremantle,
W.A. 6160 AUSTRALIA
Phone 61 8 9336 6664
Fax 61 8 9336 6665
Email kenmcalpine@compuserve.com*